

## **NOTICE OF PROPOSED GUIDANCE DOCUMENT**

Wisconsin Department of Transportation Oversize/Overweight Single Trip Factory Built Home Escort Requirements DTSD17

Pursuant to Wis. Stat. s. 227.112, the Wisconsin Department of Transportation is hereby seeking comment on the Wisconsin Department of Transportation Oversize/Overweight Single Trip Factory Built Home Escort Requirements s.348.25, s 348.26, s. 348.27.

### **PUBLIC COMMENTS AND DEADLINE FOR SUBMISSION**

Comments may be submitted to the Wisconsin Department of Transportation for 21 days by:

1. Department's website: <https://appengine.egov.com/apps/wi/dot/guidance-docs?guidDocId=DTSD17>
2. Mailing written comments to:  
Division of Transportation System Development  
Wisconsin Department of Transportation  
4822 Madison Yards Way  
PO Box 7965  
Madison, WI 53707-7965

### **WEBSITE LOCATION OF FINAL GUIDANCE DOCUMENT**

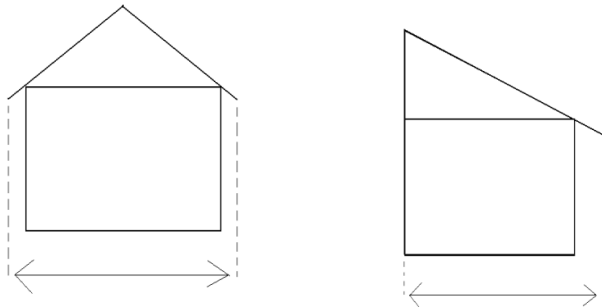
The final version of this guidance document will be posted at [wisconsindot.gov](http://wisconsindot.gov) to allow for ongoing comment.

### **AGENCY CONTACT**

[dotdtsdguidancedocs@dot.wi.gov](mailto:dotdtsdguidancedocs@dot.wi.gov)

**Single Trip Factory Built Home escort requirements for Wisconsin** 06/08/2016

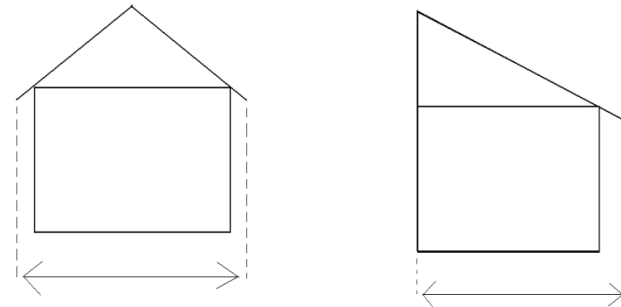
**Roof Measured at the bottom of the roof line**



12'01" to 16'00"

**No Escorts required unless traveling on a highway listed on the Form MV2740 "Escort Highways"**

If traveling on escort required Highway then one private escort will be required for that highway only and will be listed on permit along with placement requirements.



16'01" and wider

Private escort(s) required: one behind on divided hwys, one ahead and one behind on non-divided hwys. \*Must have radio communication between all units involved in the move.

**Box Outside to outside ; no exceptions for protrusions**



12'01" to 15'00"

**No Escorts required unless traveling on a highway listed on the Form MV2740 "Escort Highways"**

If traveling on escort required Highway then one private escort will be required for that highway only and will be listed on permit along with placement requirements.



15'01" and wider

Private escort(s) required: one behind on divided hwys, one ahead and one behind on non-divided hwys. \*Must have radio communication between all units involved in the move.

Additional information can be found in Chapter Trans 252 (Escort Vehicles) and Chapter Trans 260 (Single Trip Permits for Mobile Home and Modular Building Sections).