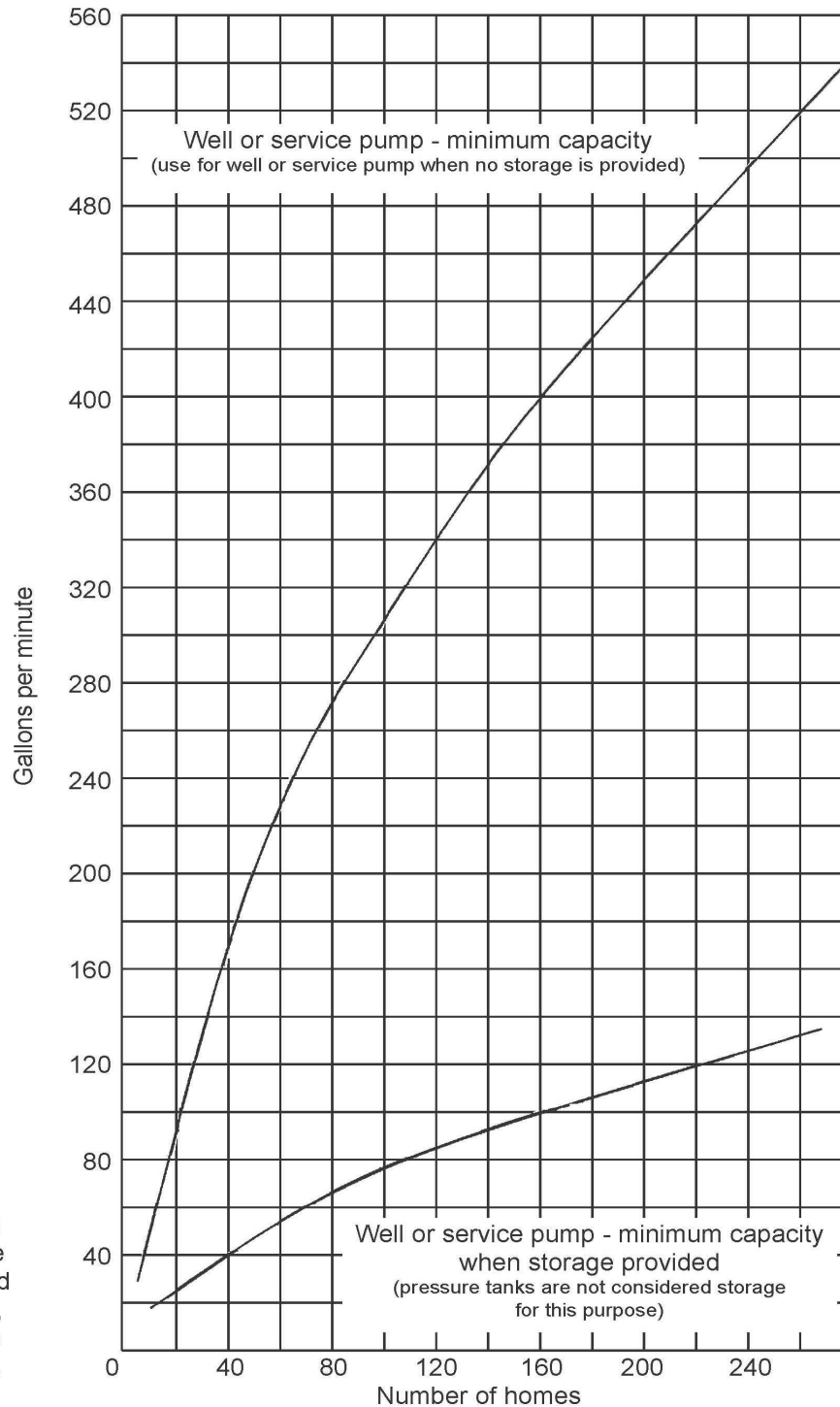


Chapter NR 811

APPENDIX

Figure No. 1
Pump capacities for domestic water service.



The number of homes when using figure No. 1 may be reduced by one-third for apartment units, condominium units and mobile homes.

Figure No. 2
Line-shaft vertical turbine pump base installation.
(No outer well casing)

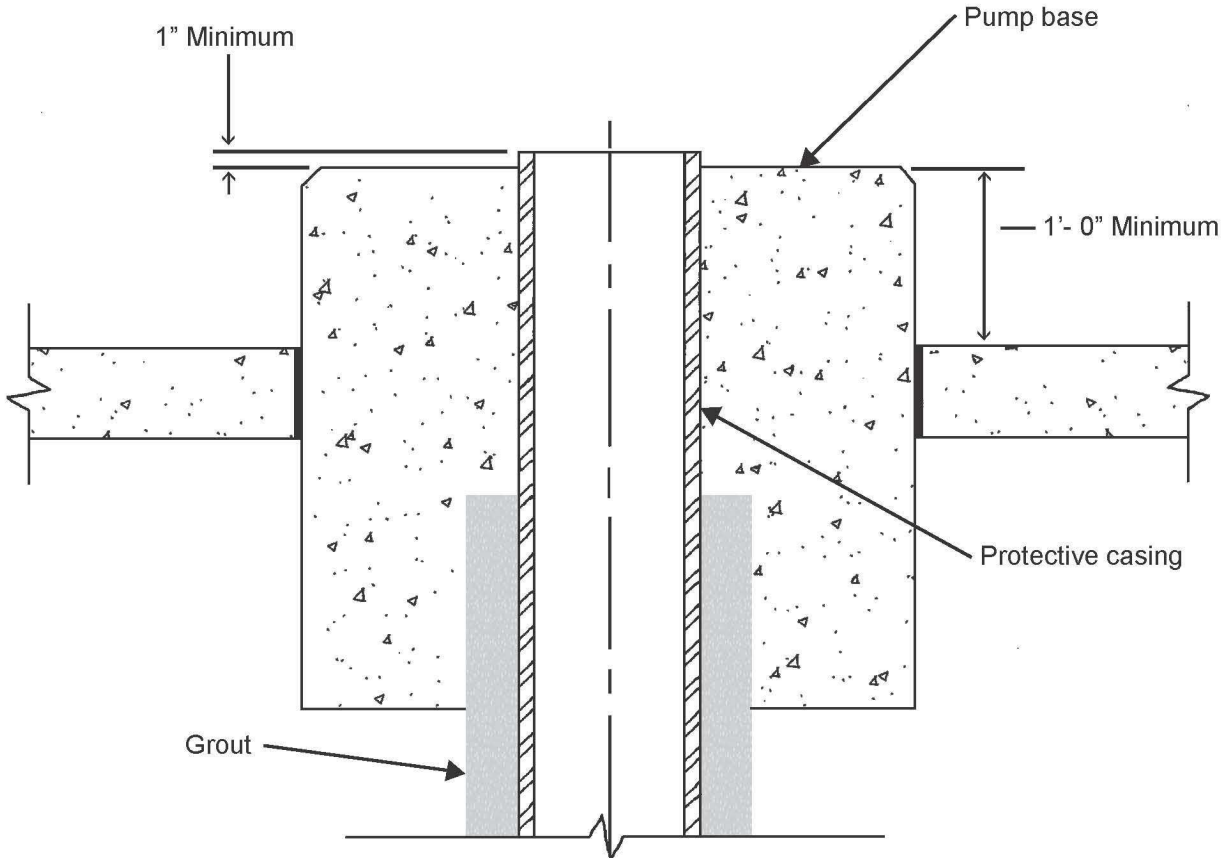


Figure No. 3
Line-shaft vertical turbine pump base installation.
(With an inner ungrouted well casing)

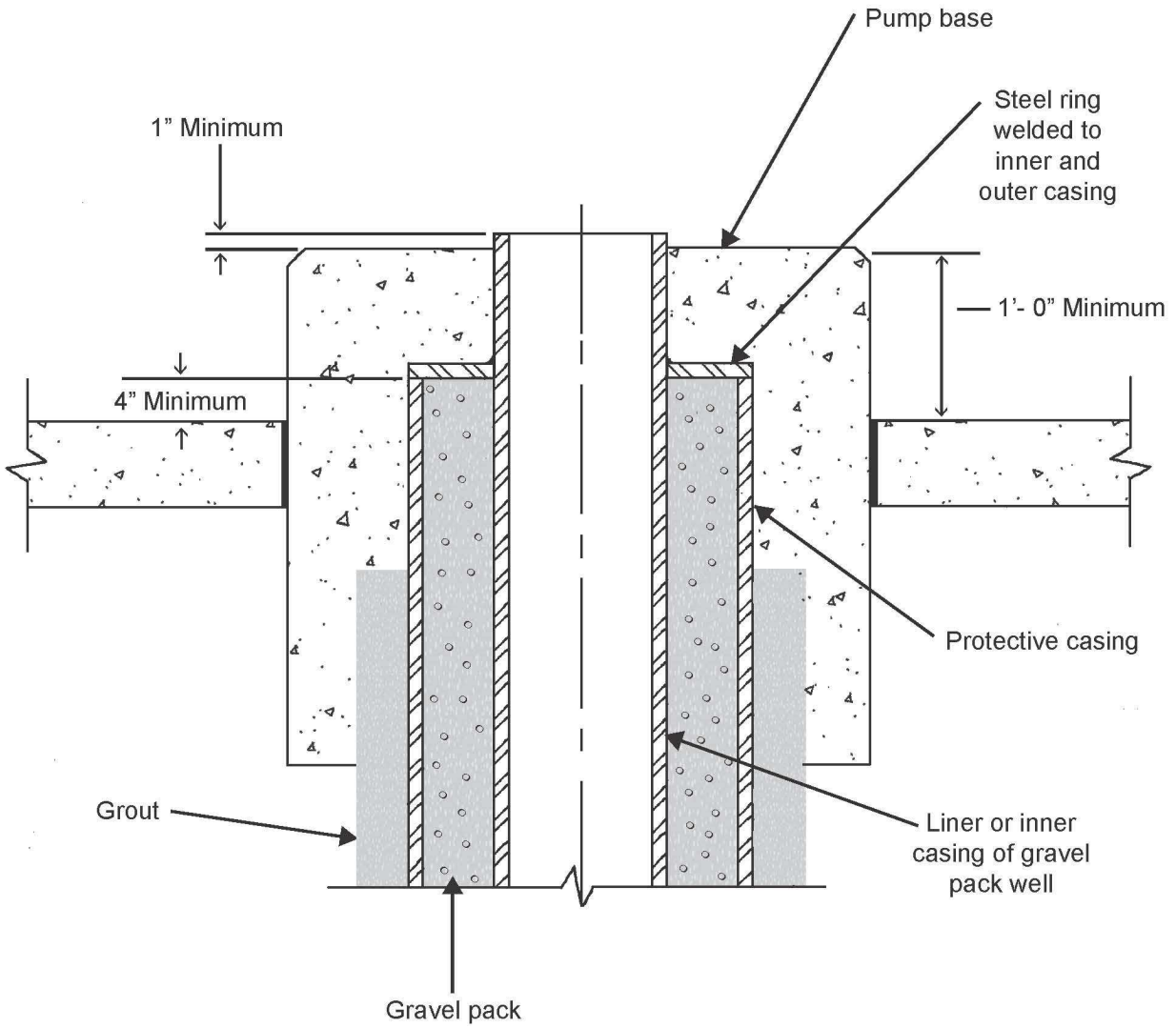


Figure No. 4
Submersible vertical turbine pump base installation.
(Without an outer casing)

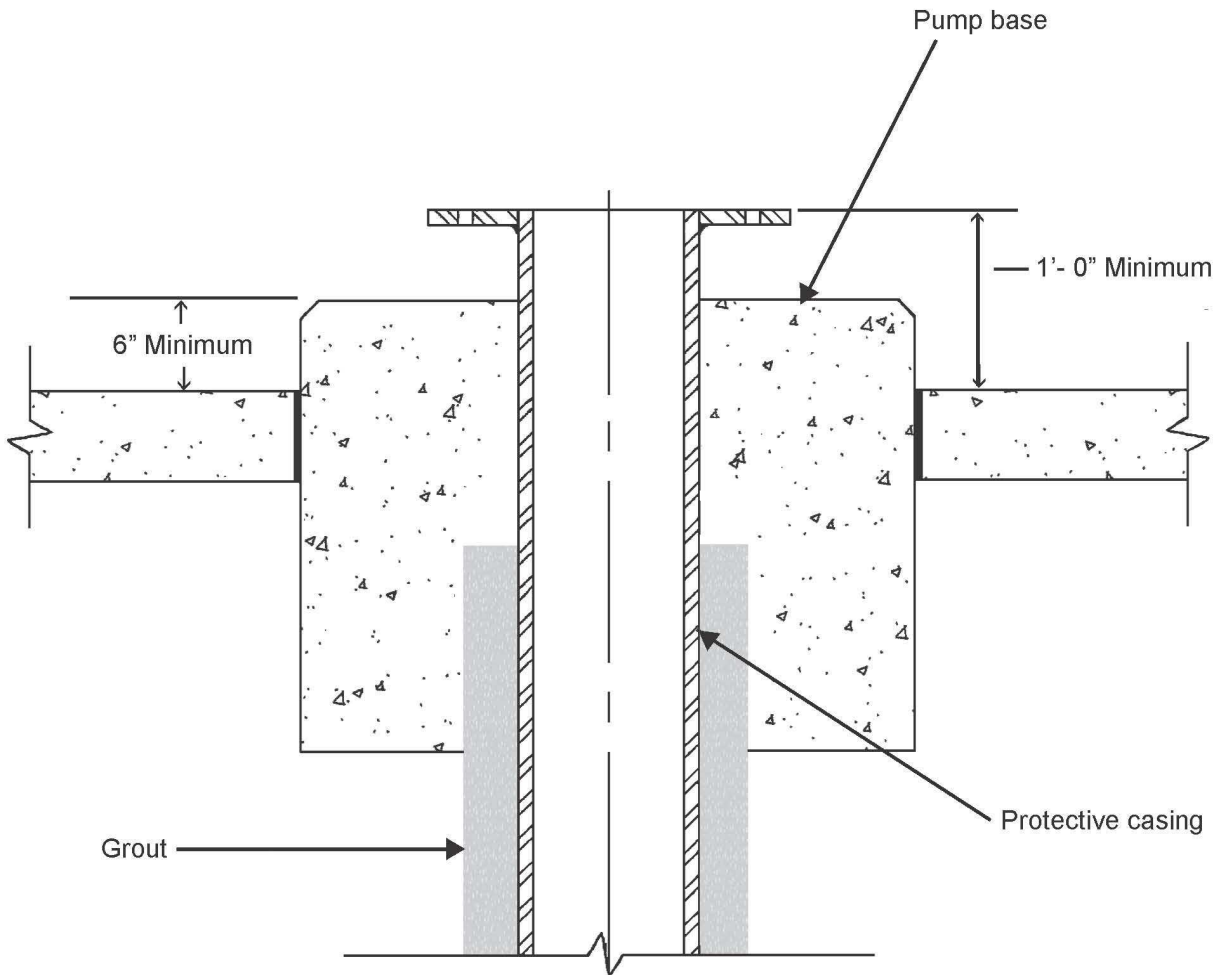


Figure No. 5
Submersible vertical turbine pump base installation.
(With an inner ungrouted well casing)

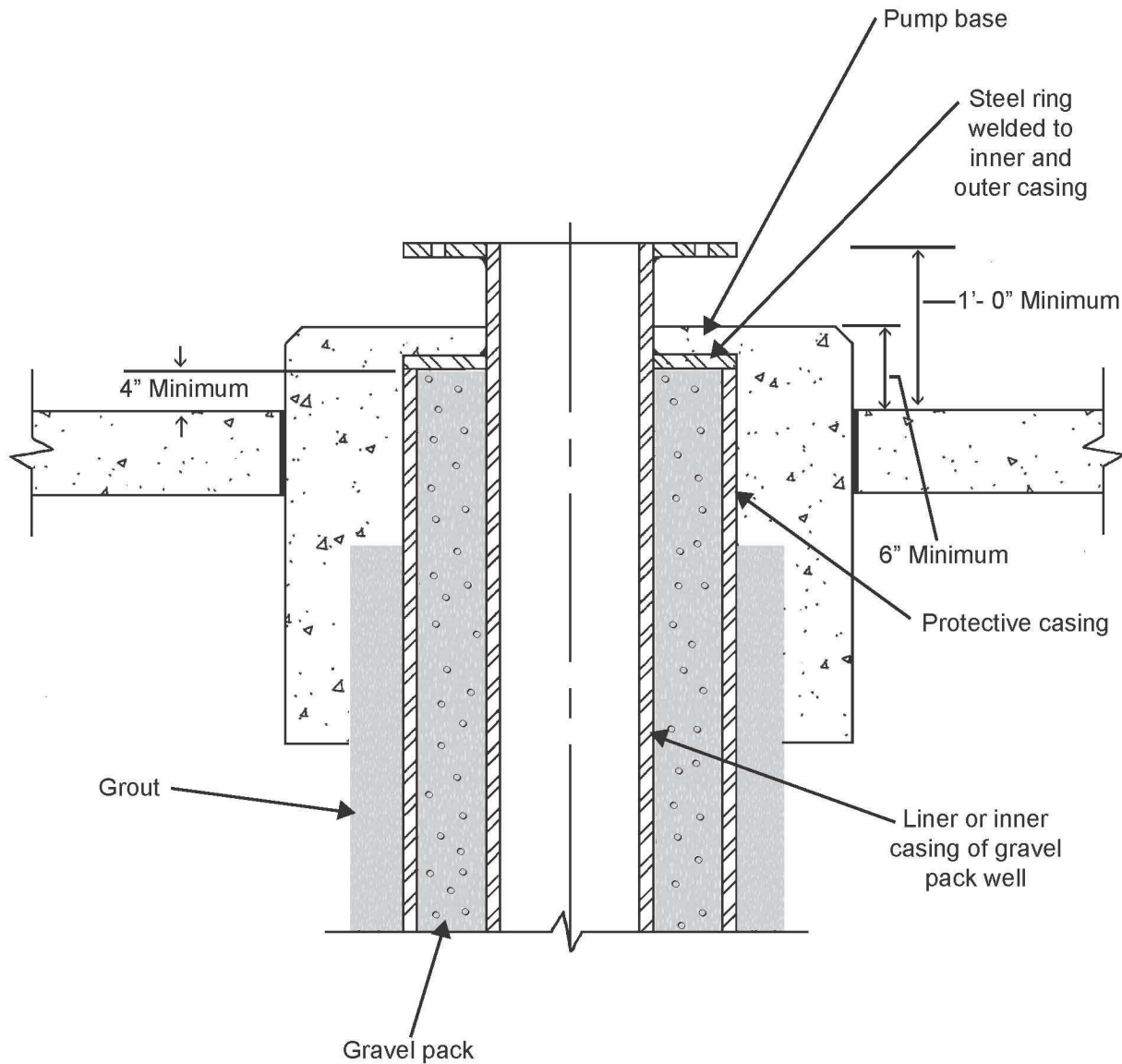
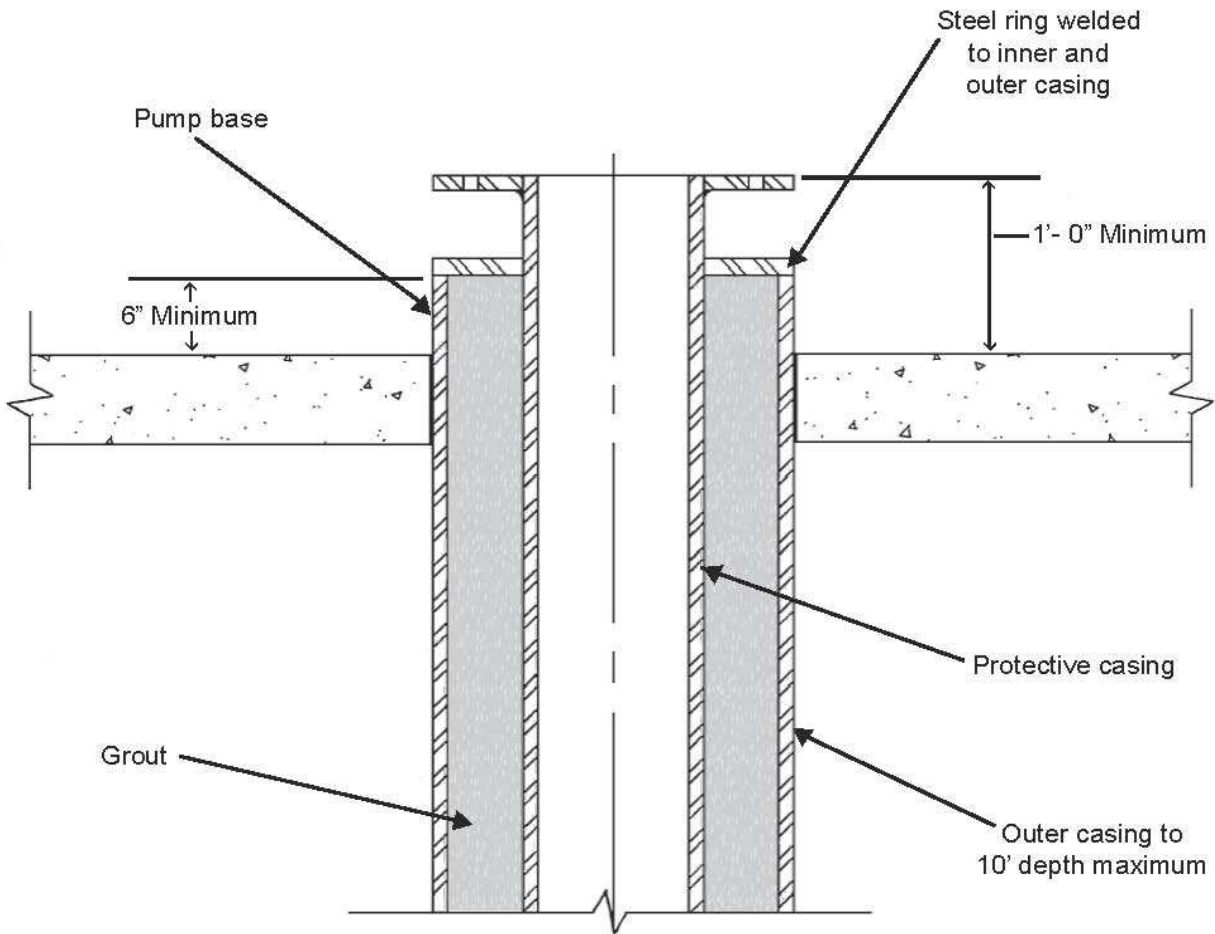
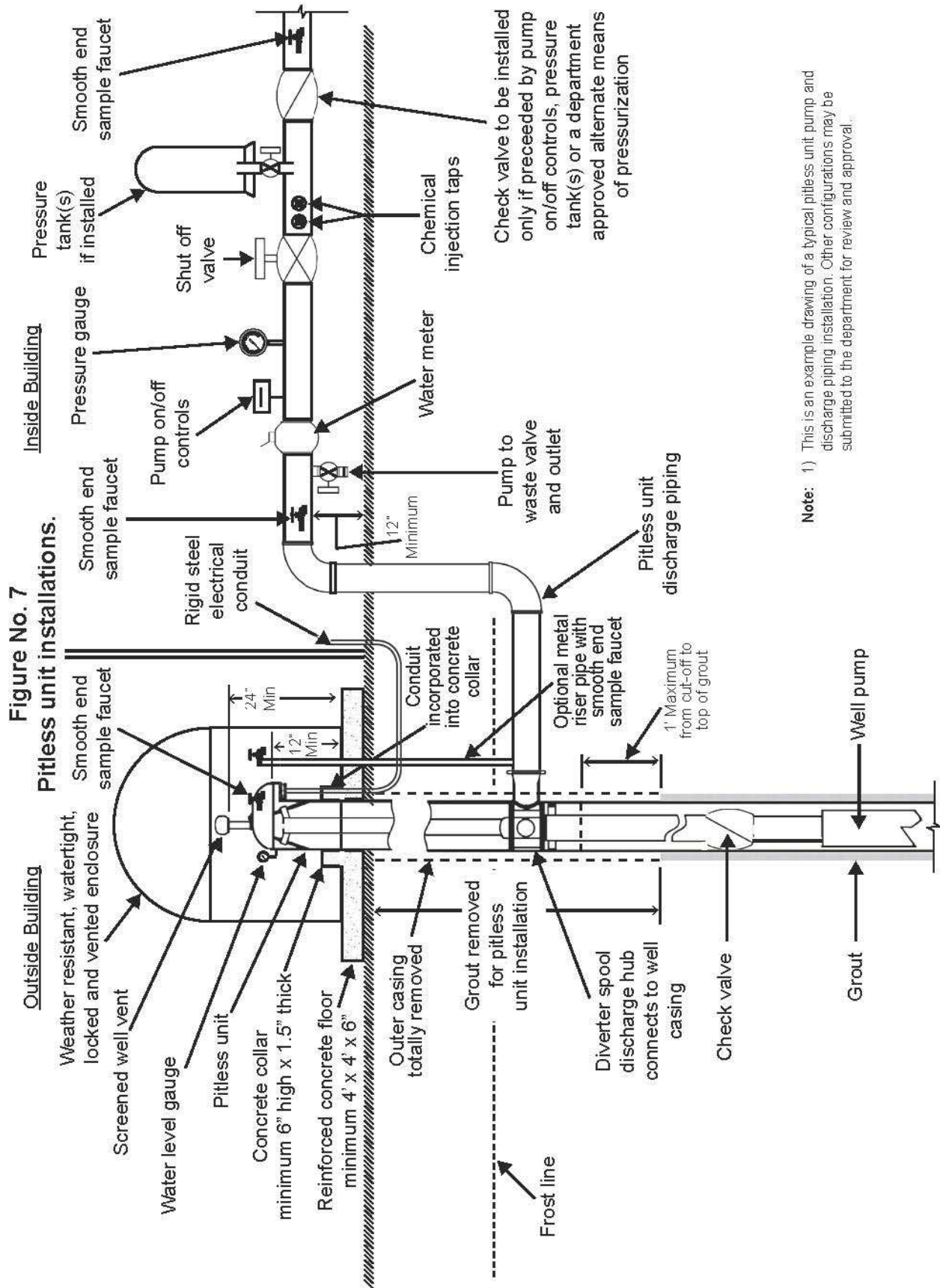


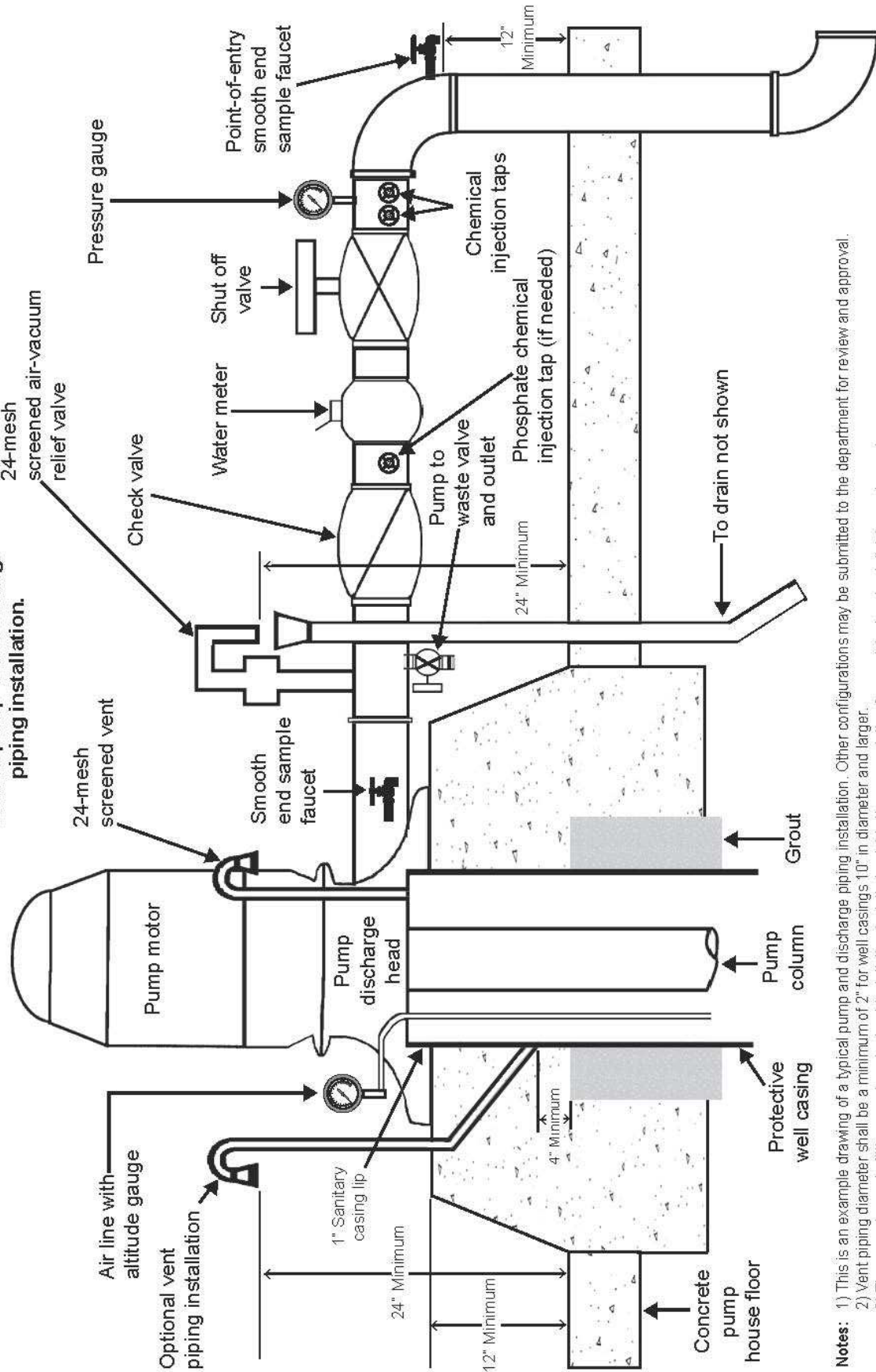
Figure No. 6
Submersible vertical turbine pump base installation.
(With an outer well casing installed to provide a protective collar.)





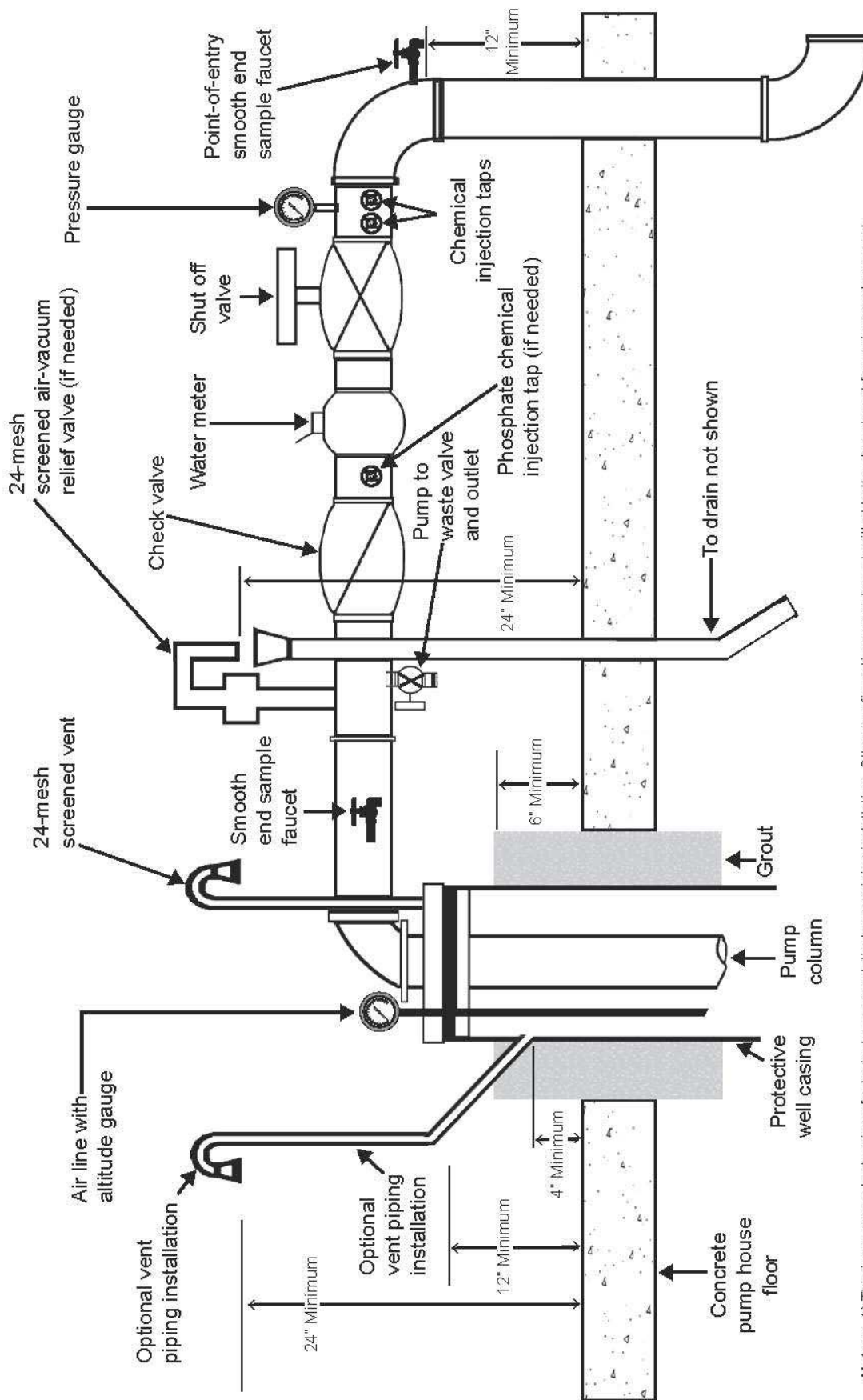
Note: 1) This is an example drawing of a typical pitless unit pump and discharge piping installation. Other configurations may be submitted to the department for review and approval.

Figure No. 8
Example line-shaft vertical turbine pump and discharge piping installation.



- Notes:**
- 1) This is an example drawing of a typical pump and discharge piping installation. Other configurations may be submitted to the department for review and approval.
 - 2) Vent piping diameter shall be a minimum of 2" for well casings 10" in diameter and larger.
 - 3) The pump to waste fitting may be a hydrant installation installed outside the pump station for municipal and subdivision water systems.

Figure No. 9
Example submersible vertical turbine pump and discharge piping installation.



- Notes:**
- 1) This is an example drawing of a typical pump and discharge piping installation. Other configurations may be submitted to the department for review and approval.
 - 2) Vent piping diameter shall be a minimum of 2" for well casings 10" in diameter and larger.
 - 3) The pump to waste fitting may be a hydrant installation installed outside the pump station for municipal and subdivision water systems.

Figure No. 10
Common trench installation requirements for
water main and sanitary or storm sewers.

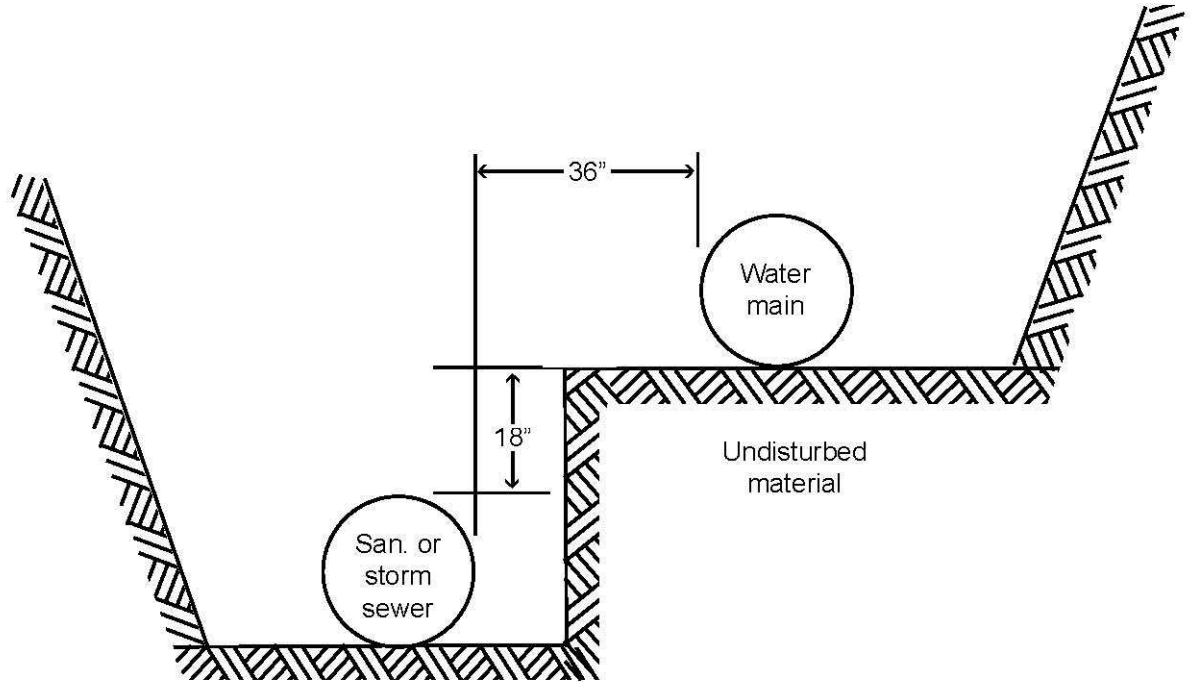


Figure No. 11
Acceptable water loading
station devices.

