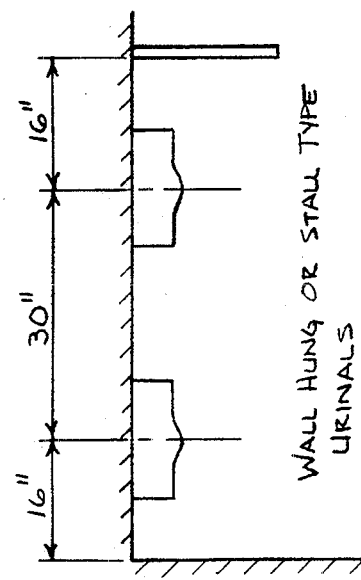
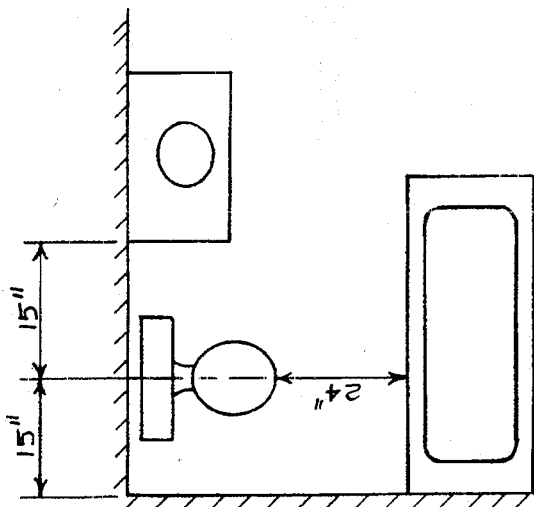
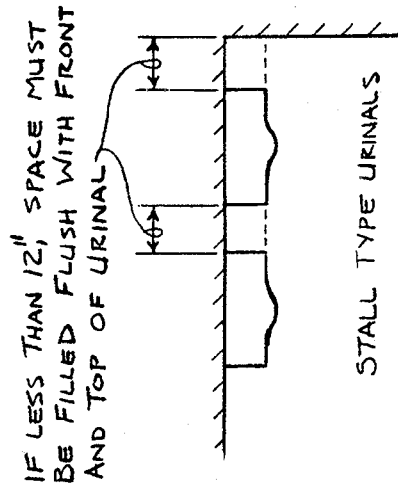
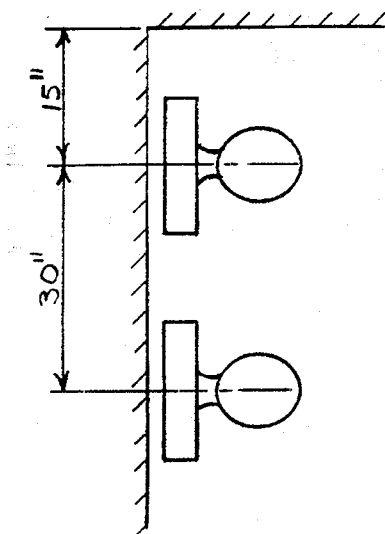


Comm 84

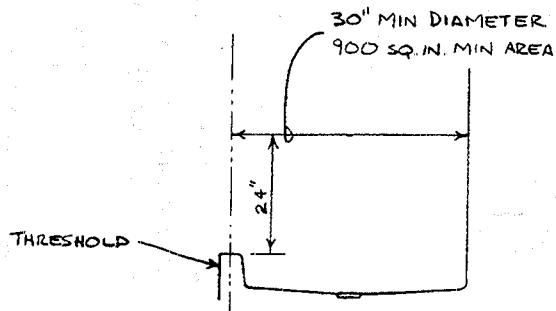
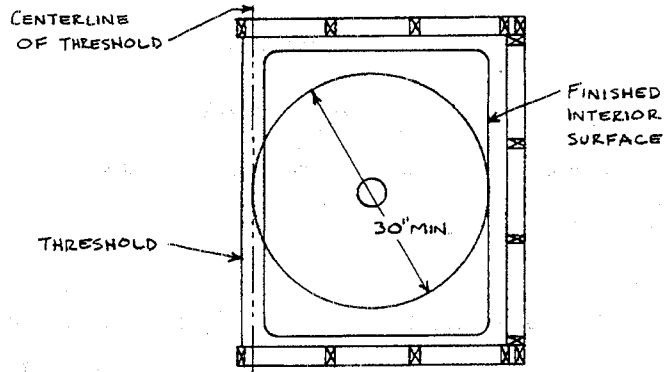
APPENDIX

The material contained in this appendix is for clarification purposes only. The notes, illustrations, etc., are numbered to correspond to the number of the rule as it appears in the text of the code.

A-84.20 (5) SPACING OF PLUMBING FIXTURES



A-84.20 (5) MINIMUM SIZE OF SHOWER COMPARTMENTS.



A-84.30 (4) MEASURING RADIUS OF A BEND IN PB PIPE OR TUBING.

