

# State of Wisconsin

SENATE CHAIR  
**Howard Marklein**

316 East, State Capitol  
P.O. Box 7882  
Madison, WI 53707-7882  
Phone: (608) 266-0703



ASSEMBLY CHAIR  
**Mark Born**

308 East, State Capitol  
P.O. Box 8592  
Madison, WI 53708-8953  
Phone: (608) 266-2540

## Joint Committee on Finance

### MEMORANDUM

To: Members  
Joint Committee on Finance

From: Senator Howard Marklein  
Representative Mark Born

Date: December 20, 2022

Re: 14-Day Passive Review Approval – DNR

Pursuant to s. 23.0917(6m), Stats., attached is a 14-day passive review request from the Department of Natural Resources, received on December 20, 2022.

Please review the material and notify **Senator Marklein** or **Representative Born** no later than **Tuesday, January 10, 2023**, if you have any concerns about the request or if you would like the Committee to meet formally to consider it.

Also, please contact us if you need further information.

Attachments

HM:MB;jm

State of Wisconsin  
DEPARTMENT OF NATURAL RESOURCES  
101 S. Webster Street  
Box 7921  
Madison WI 53707-7921

Tony Evers, Governor  
Preston D. Cole, Secretary  
Telephone 608-266-2621  
Toll Free 1-888-936-7463  
TTY Access via relay - 711



DEC 20 2022

*St. Finance*

December 14, 2022

The Honorable Howard L. Marklein, Co-Chair  
Joint Committee on Finance  
Room 316 East  
State Capitol  
PO Box 7882  
Madison, WI 53707

The Honorable Mark Born, Co-Chair  
Joint Committee on Finance  
Room 308 East  
State Capitol  
PO Box 8952  
Madison, WI 53708

Dear Senator Marklein and Representative Born:

Pursuant to s.23.0917 (6m), Wis. Stats., the Department is notifying you as co-chairs of the Joint Committee on Finance of the use of Stewardship program funds in excess of \$250,000. These funds will be provided through the Recreational Boating Facility (RBF) grant program. Effective October 27, 2007, RBF grants are funded with Stewardship program moneys. The proposed grant represents approximately 50% of the estimated total project costs. The grant is for the purchase of aquatic plant harvesting equipment to be used on Shawano Lake and the Wolf River Channel, under the authority of the Shawano Area Waterways Management, Shawano County, Wisconsin.

Shawano Lake and the Wolf River Channel are open to the public with a variety of access sites and boating facilities that meet the needs of motorized and nonmotorized watercraft.

As provided in s. 23.0917(6m)(a), Wis. Stats., if the Department does not receive notification of the scheduling of a hearing from either of the Joint Committee on Finance co-chairpersons within 14 working days from today, the Department will award this grant.

Thank you for your consideration.

Sincerely,

DocuSigned by:  
*Sarah Barry*  
Preston D. Cole  
Secretary

cc: Dave Siebert, Administrator, External Services Division  
Jean Romback-Bartels, Secretary Director, NER  
Jim Ritchie, Director, Community Financial Assistance  
Roberta Winebar, Recreational Boating Grant Program Manager  
Jessica Terrien, RBF Grant Project Manager, NER

**CORRESPONDENCE/MEMORANDUM**

**DATE:** December 14, 2022

**TO:** Members of the Joint Committee on Finance

**FROM:** Preston D. Cole, Secretary

**SUBJECT: REQUEST FOR APPROVAL OF RECREATIONAL BOATING FACILITY GRANT USING STEWARDSHIP PROGRAM FUNDS GREATER THAN \$250,000: SHAWANO AREA WATERWAYS MANAGEMENT, SHAWANO COUNTY**

Pursuant to s. 23.0917(6m)(a) and (c), Wis. Stats., the Department is notifying you of a proposed Recreational Boating Facility (RBF) grant in the amount of \$303,100 to Shawano Area Waterways Management, for the purchase of aquatic plant harvesting equipment for use on Shawano Lake and the Wolf River Channel. Effective October 27, 2007, RBF grants are funded with Stewardship program moneys. The Knowles-Nelson Stewardship program is funded under s. 20.866(2)(ta), Wis. Stats.

**I. PROJECT DETAILS:**

**Project Sponsor:** Shawano Area Waterways Management

**Project Name:** Aquatic Plant Harvester, Transport Barge & Trailer Replacement

**Grant sub-program:** Recreational Boating Facilities (RBF)

**Location:** Shawano Lake and Wolf River Channel, Shawano County, Wisconsin.

**Project Description:** Shawano Area Waterways Management proposes to purchase a new aquatic plant harvester, transport barge, and two trailers as replacements for equipment that are at the end of their useful lives. The new harvester will be driven by dual hydraulic propellers, instead of the traditional paddle wheel. This option was chosen to decrease needed maintenance and increase reliability. This investment will improve the overall viability of the lake and channel for public recreational boaters, resulting in increased use. The local economy will benefit from the increased activity on Shawano Lake which is a very popular recreational lake. A 2022 Economic Impact Analysis of Shawano Lake and its associated waterways reported that use of Shawano Lake accounted for 46% of total tourism spending in Shawano County.

**Project Goals:** The Shawano Area Waterways Management Harvesting Equipment project meets the following goal:

- Implements the recommendations for Shawano Lake and the Wolf River identified in the Comprehensive Plans for Shawano County, City of Shawano, and Village of Cecil.
- Implements the nuisance aquatic plant control strategy identified in the Aquatic Plant Management Plan for Shawano Lake.

**Public Uses:** The lake and channel are available to the public seven days per week, 365 days per year, for recreational boating, fishing and nature viewing. The waterways remain accessible during the operation of the harvesting equipment, taking safety into consideration for the public.

**Ownership and Management:** The aquatic plant harvesting equipment and harvesting activities will be operated and maintained by Shawano Area Waterways Management, consistent with their management policy and approved mechanical aquatic plant control permit.

**Timetable:** The harvester, transport and trailer will be ordered in the winter of 2022-23. The equipment is expected to be delivered in mid-2023 and will be put into operation as soon as possible, potentially in summer 2023.

**Partnerships:**

- Shawano Area Waterways Management: Responsible for purchase, operation, and maintenance.
- Department of Natural Resources: Provides financial grant assistance.

**II. PROJECT FINANCES:**

Shawano Area Waterways Management contribution	\$ 303,100
<u>DNR Recreational Boating Facilities grant requested</u>	<u>\$ 303,100</u>
Total Project Costs	\$ 606,200

**III. RECOMMENDED:**

DocuSigned by: <i>Jim Ritchie</i> <small>2B749D448309429</small>	12/14/2022   2:13 PM CST
_____ Jim Ritchie, Director Bureau of Community Financial Assistance	_____ Date

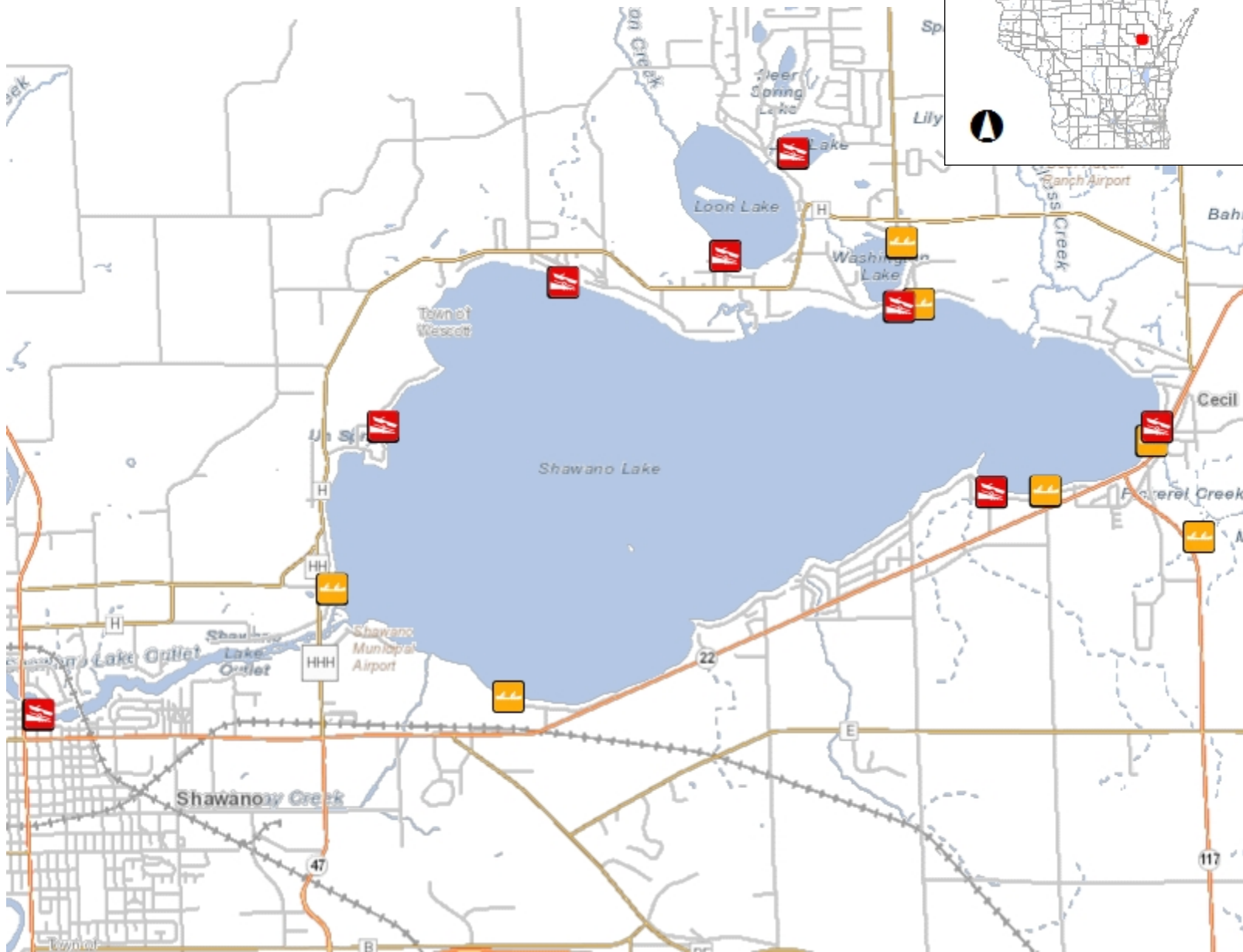
DocuSigned by: <i>David Seibert</i> <small>D2E3F67B74CE4F2...</small>	12/14/2022   1:58 PM CST
_____ David Seibert, Administrator External Services Division	_____ Date

**Attachments:**

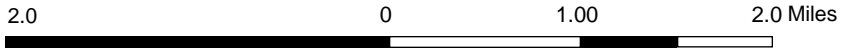
- Appendix A – Project Location map
- Appendix B – Aquatic Plant Management Plan Management Areas Map
- Appendix C – Renderings of Aquatic Plant Harvesting Equipment



# Shawano Lake Public Boating Access Points



- Legend**
- Boat Access**
    - CARRY-IN
    - RAMP
    - UNKNOWN
  - Municipality**
    - Municipality
  - State Boundaries**
    - State Boundaries
  - County Boundaries**
    - County Boundaries
  - Major Roads**
    - Interstate Highway
    - State Highway
    - US Highway
  - County and Local Roads**
    - County HWY
    - Local Road
  - Railroads**
    - Railroads
  - Tribal Lands**
    - Tribal Lands
  - Rivers and Streams**
    - Rivers and Streams
    - Intermittent Streams
  - Lakes and Open water**
    - Lakes and Open water



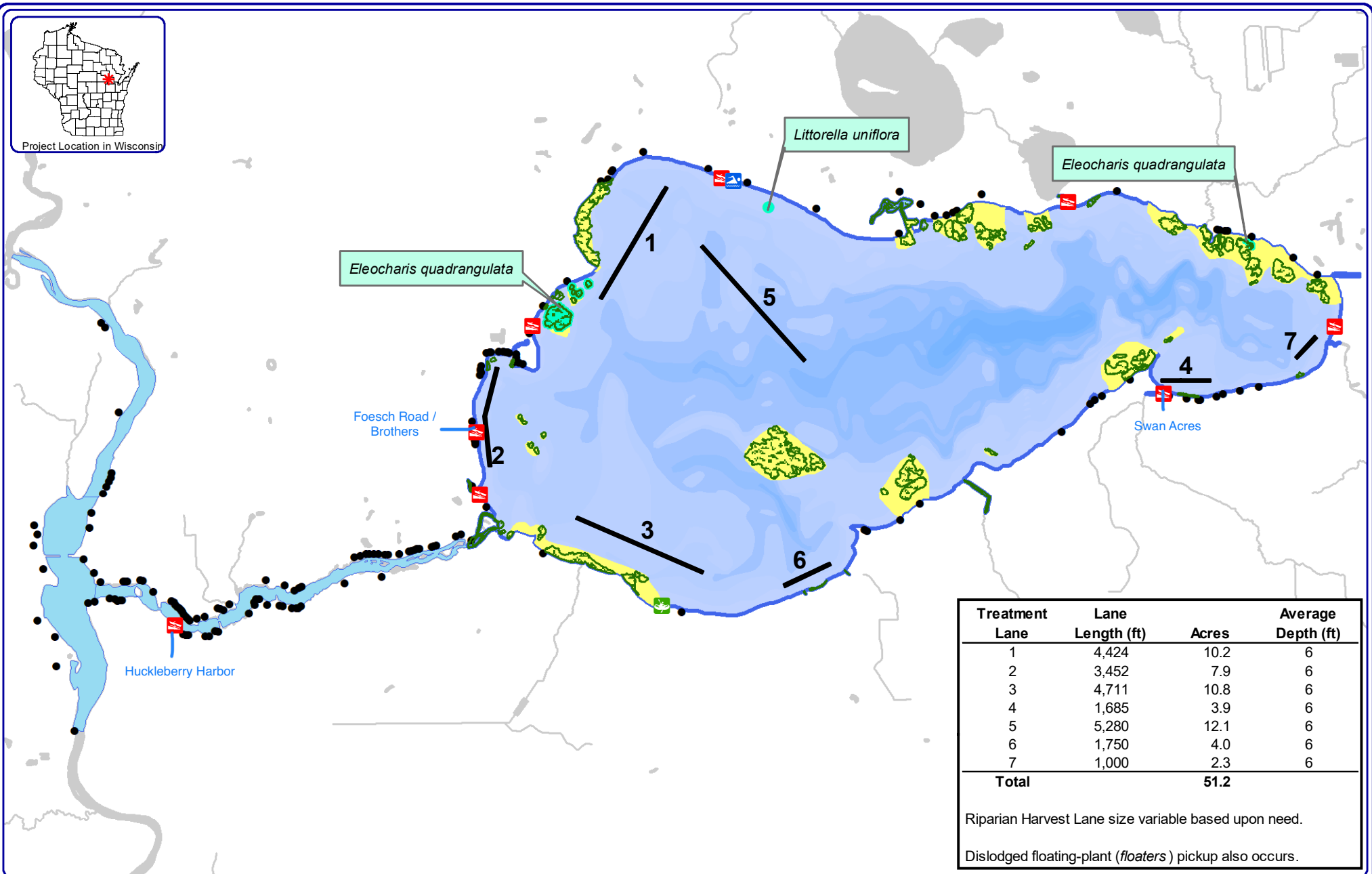
NAD\_1983\_HARN\_Wisconsin\_TM

1: 63,360

DISCLAIMER: The information shown on these maps has been obtained from various sources, and are of varying age, reliability and resolution. These maps are not intended to be used for navigation, nor are these maps an authoritative source of information about legal land ownership or public access. No warranty, expressed or implied, is made regarding accuracy, applicability for a particular use, completeness, or legality of the information depicted on this map. For more information, see the DNR Legal Notices web page: <http://dnr.wi.gov/legal/>

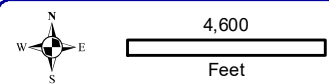
**Notes**

# APPENDIX B



Treatment Lane	Lane Length (ft)	Acres	Average Depth (ft)
1	4,424	10.2	6
2	3,452	7.9	6
3	4,711	10.8	6
4	1,685	3.9	6
5	5,280	12.1	6
6	1,750	4.0	6
7	1,000	2.3	6
<b>Total</b>		<b>51.2</b>	

Riparian Harvest Lane size variable based upon need.  
 Dislodged floating-plant (*floaters*) pickup also occurs.



**Onterra LLC**  
 Lake Management Planning  
 815 Prosper Road  
 De Pere, WI 54115  
 920.338.8860  
 www.onterra-eco.com

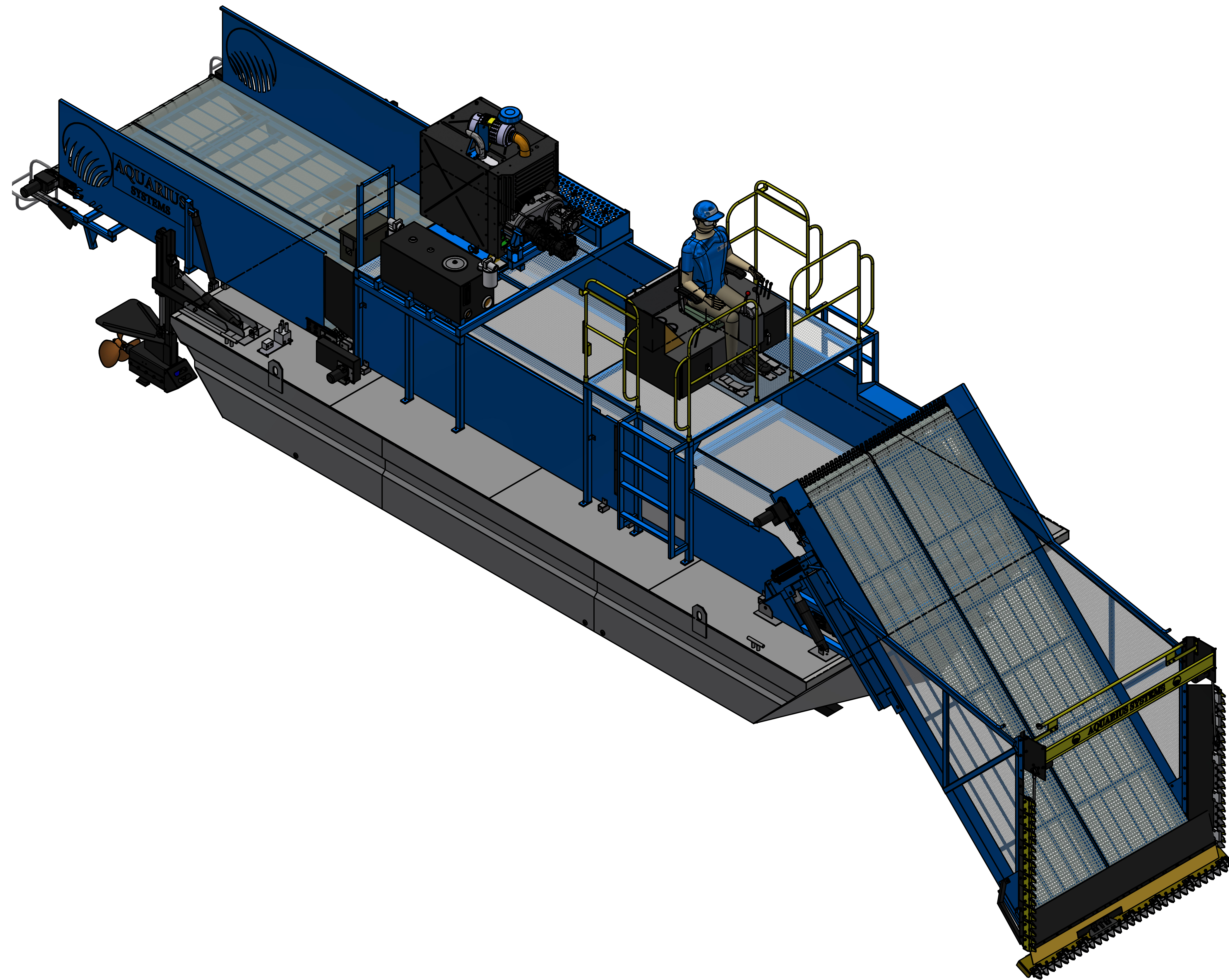
Sources:  
 Roads and Hydro: WDNR  
 Aquatic Plants: Onterra  
 Sensitive Areas: WDNR, 2003  
 Nuisance Lanes: Digitized by Onterra from WDNR permit records  
 Map Date: April 27, 2021 - EJH

- ### Legend
- Nuisance Navigation Management Lane (100ft wide)
  - Floating-leaf and/or Emergent Plant Community (Shawano Lake proper only; mapped July 2013)
  - NHI Plant Species Location (Label indicates species)
  - Riparian Harvest Location (Symbol on Parcel Center; N=172)
  - WDNR Sensitive Area (Designated 2003)

Map 11  
 Shawano Lake  
 Shawano County, Wisconsin  
**Mechanical Harvest Locations**




Aquatic Plant Harvester



**H-420SPL HARVESTER**


- \* DUAL PROPS PROPULSION
- \* SR CONTROLS FOR PROPS
- \* 304L STAINLESS STEEL (SS) BARGE
- \* STANDARD DUTY SS BELTING ALL CONVEYORS
- \* UHMW WEAR STRIPS ALL CONVEYORS
- \* HYDRAULICALLY ADJUSTABLE PLATFORM (NOT SHOWN)
- \* HATZ 4H50TIC 74HP DIESEL ENGINE
- \* 18 GAL FUEL TANK
- \* TILT AND RAISE/LOWER PROPS

UNLESS OTHERWISE SPECIFIED, ALL TOLERANCES ARE AS NOTED BELOW:		MATERIAL		 <b>AQUARIUS SYSTEMS</b> <small>A Division of D&amp;D Products Inc.</small>	
MACHINING OPERATIONS:		DRAWN	MIKEP	12/5/2022	
1 PLACE X.X ±.030		APPROVED BY			
2 PLACE X.XX ±.015		<small>PROPRIETARY NOTICE:                  THIS PRINT REMAINS THE PROPERTY OF                  D&amp;D PRODUCTS, INC. AQUARIUS SYSTEMS DIV.                  INFORMATION CONTAINED THEREON IS                  CONFIDENTIAL. IF LOANED, SUBJECT TO RETURN                  UPON DEMAND AND EXPRESSED CONDITION THAT                  IT IS NOT TO BE COPIED OR USED DIRECTLY OR                  INDIRECTLY IN ANY WAY WITHOUT WRITTEN                  AUTHORITY FROM D&amp;D PRODUCTS, INC.                  AQUARIUS SYSTEMS DIV.</small>			
3 PLACE X.XXX ±.005		TITLE		GENERAL ARRANGEMENT	
4 PLACE X.XXXX ±.0005		PROJECT		HM-420SPL	SIMILAR TO
ANGLES ± .75°		SIZE		D	DWG NO
FABRICATION OPERATIONS:		SCALE		NTS	WEIGHT
1 PLACE X.X ±.125		N/A		222397	
2 PLACE X.XX ±.060		SHEET		2 OF 2	
3 PLACE X.XXX ±.030		REV		0	
4 PLACE X.XXXX ±.015		ANGLES		±1°	



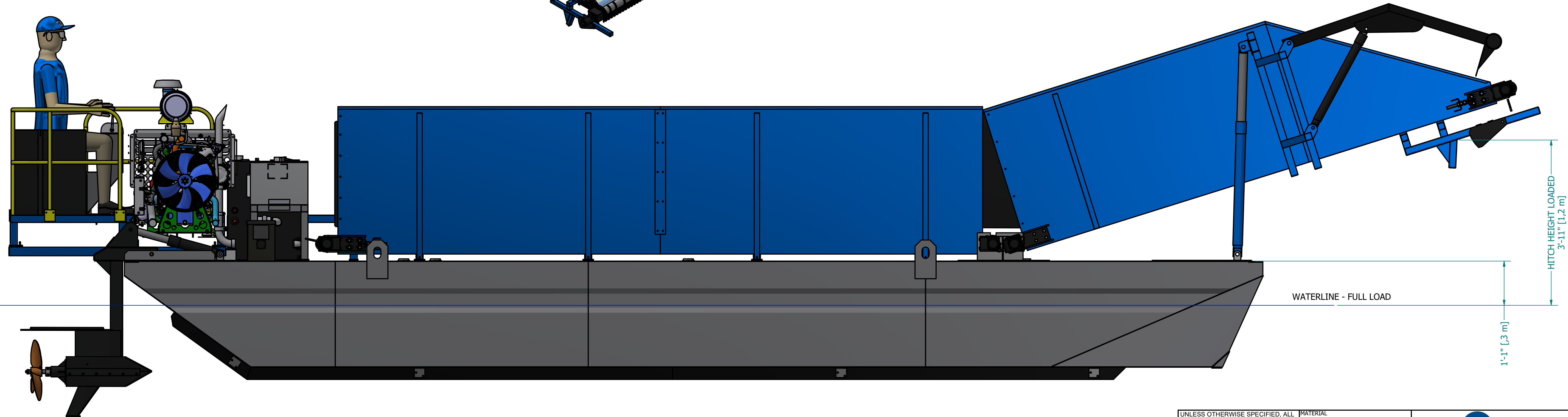
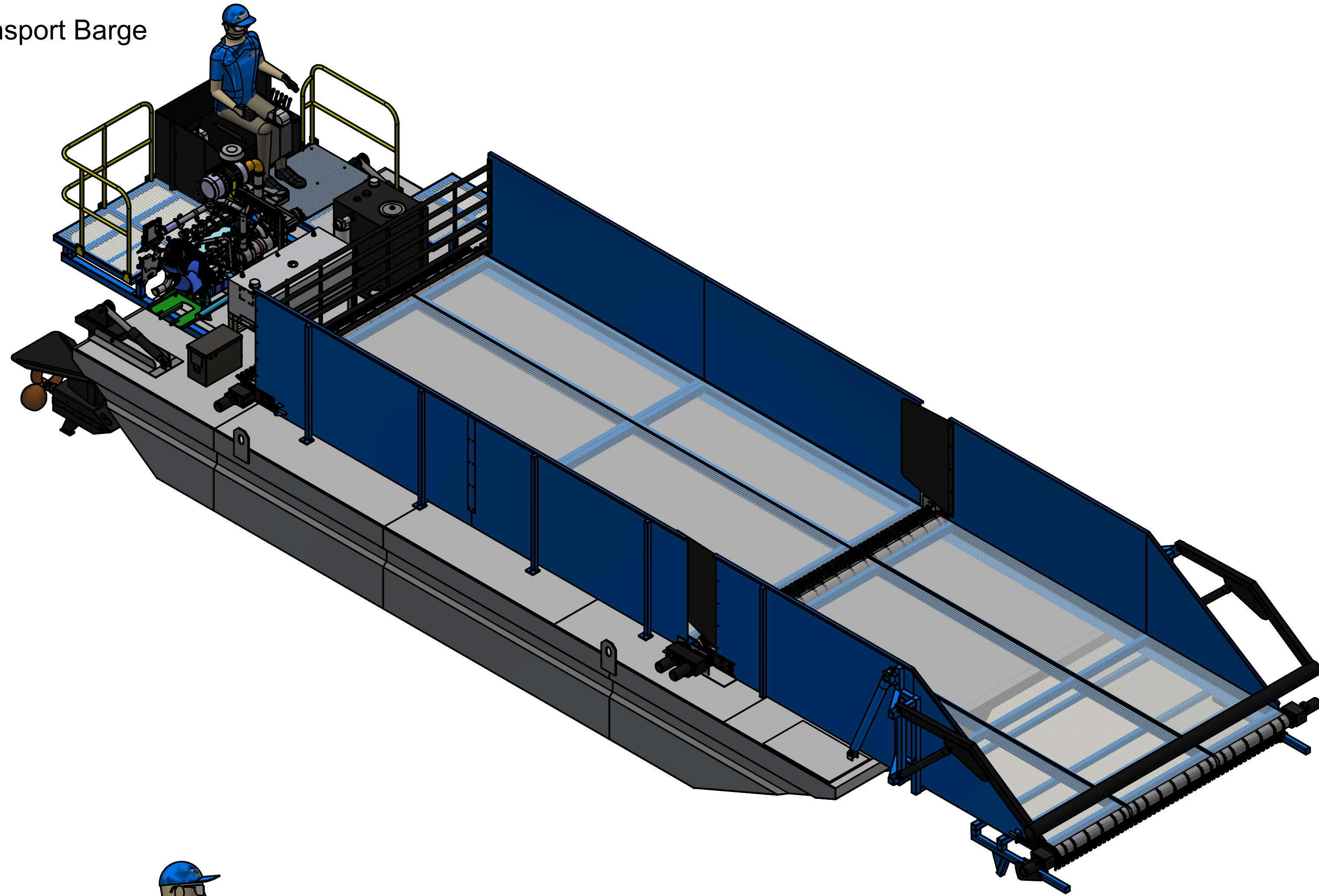
Trailer for Aquatic Plant Harvester




UNLESS OTHERWISE SPECIFIED, ALL TOLERANCES ARE AS NOTED BELOW:		MATERIAL		 <b>AQUARIUS SYSTEMS</b> <small>A Division of D&amp;D Products Inc.</small>	
<b>MACHINING OPERATIONS:</b> 1 PLACE X.X ±.030 2 PLACE X.XX ±.015 3 PLACE X.XXX ±.005 4 PLACE X.XXXX ±.0005 ANGLES ± 1/2°		DRAWN michaelr	DATE 2/20/2015	TITLE <b>GENERAL ARRANGEMENT</b>	
<b>FABRICATION OPERATIONS:</b> 1 PLACE X.X ±.125 2 PLACE X.XX ±.060 3 PLACE X.XXX ±.030 4 PLACE X.XXXX ±.015 ANGLES ± 1°		APPROVED BY _____		PROJECT TR-23 TRAILER	SIMILAR TO _____
PROPRIETARY NOTICE: THIS PRINT REMAINS THE PROPERTY OF D&D PRODUCTS, INC. AQUARIUS SYSTEMS DIV. INFORMATION CONTAINED THEREON IS CONFIDENTIAL. IF LOANED, SUBJECT TO RETURN UPON DEMAND AND EXPRESSED CONDITION THAT IT IS NOT TO BE COPIED OR USED DIRECTLY OR INDIRECTLY IN ANY WAY WITHOUT WRITTEN AUTHORITY FROM D&D PRODUCTS, INC. AQUARIUS SYSTEMS DIV.		SIZE D 2301	DWS NO GENERAL ARRANGEMENT	REV 0	SCALE NTS
		WEIGHT N/A	SHEET 2 OF 2		



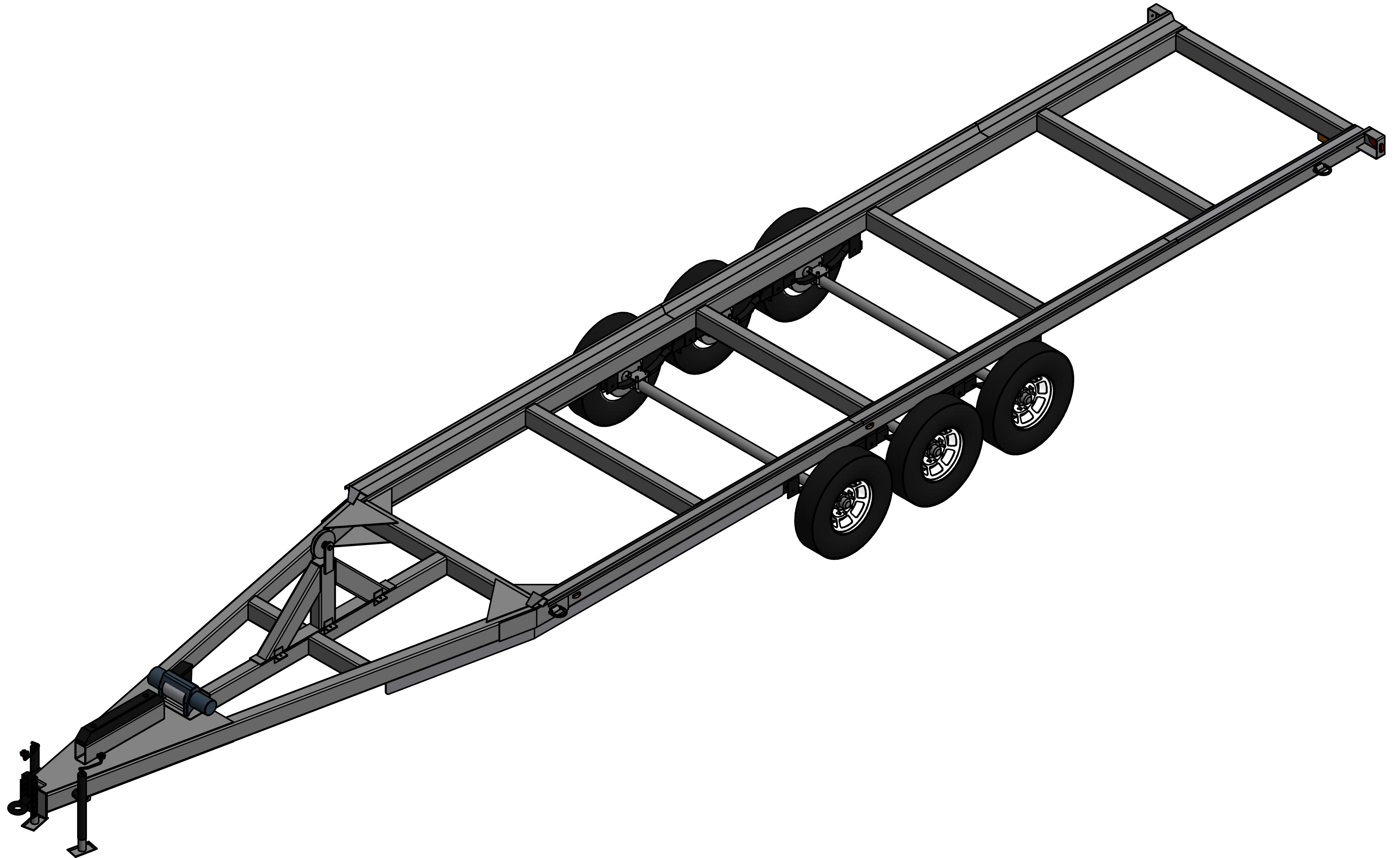
Transport Barge




UNLESS OTHERWISE SPECIFIED, ALL TOLERANCES ARE AS NOTED BELOW:		MATERIAL		 <b>AQUARIUS</b> SYSTEMS	
MACHINING OPERATIONS:		DRAWN <b>MIKE P</b>	DATE 6/14/2018	TITLE <b>GENERAL ARRANGEMENT</b>	
1 PLACE X.X ±.030 2 PLACE X.XX ±.015 3 PLACE X.XXX ±.005 4 PLACE X.XXXX ±.0005 ANGLES ± 1/2°		APPROVED BY  		PROJECT <b>T-34SPL TRANSPORT</b>	
FABRICATION OPERATIONS:		PROPRIETARY NOTICE: THIS PRINT REMAINS THE PROPERTY OF D&D PRODUCTS, INC. AQUARIUS SYSTEMS DIV. INFORMATION CONTAINED THEREON IS CONFIDENTIAL. IF LOANED, SUBJECT TO RETURN UPON DEMAND AND EXPRESSED CONDITION THAT IT IS NOT TO BE COPIED OR USED DIRECTLY OR INDIRECTLY IN ANY WAY WITHOUT WRITTEN AUTHORITY FROM D&D PRODUCTS, INC. AQUARIUS SYSTEMS DIV.		SIMILAR TO  	
1 PLACE X.X ±.125 2 PLACE X.XX ±.060 3 PLACE X.XXX ±.030 4 PLACE X.XXXX ±.015 ANGLES ± 1°		SIZE <b>D</b>	DWG NO <b>222398</b>	REV <b>2</b>	
SCALE		NTS	WEIGHT N/A	SHEET 2 OF 2	



# Trailer for Transport Barge



PROPRIETARY NOTICE  
 THIS PRINT REMAINS THE PROPERTY OF  
 D&D PRODUCTS, INC AQUARIUS SYSTEMS DIV.  
 INFORMATION CONTAINED THEREON IS CONFIDENTIAL  
 IF LOANED, SUBJECT TO RETURN UPON DEMAND  
 AND EXPRESSED CONDITION THAT IT IS NOT  
 TO BE COPIED OR USED DIRECTLY OR INDIRECTLY IN ANY  
 WAY WITHOUT WRITTEN AUTHORITY FROM  
 D&D PRODUCTS, INC; AQUARIUS SYSTEMS DIV.

MATERIAL		 <b>AQUARIUS SYSTEMS</b>		
DRAWN	2/20/2015			
APPROVED BY	michaelr	GENERAL ARRANGEMENT		
		PROJECT		
		TR-34 (7K) TRAILER		
		SIZE	DWG NO	REV
		C	2622 GENERAL ARRANGMENT	0
TOL. ±1/32" UNLESS OTHERWISE NOTED		SCALE	NTS	WEIGHT N/A
		SHEET 2 OF 2		